

CONCERTINA FOIL BATTS™	REFLECTIVITY
	Aluminium Foil 97% (0.97) Anti-Glare Foil 80% (0.80)
Expandable double-sided aluminium foil insulation 25 FOIL BATTS per pack	EMMITANCE
	Aluminium Foil 3% (0.03) Anti-Glare Foil 20% (0.20)

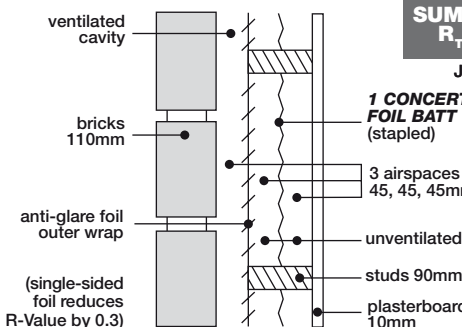
- The Total R-value (R_T) calculations are in accordance with AS/NZS 4859.1:2002, and are based on a temperature difference of 6K (6°C) between indoor and outdoor air temperatures.
- The contribution of **CONCERTINA FOIL BATTS** to Total R-value depends on installation and environmental conditions.
- Anti-glare RFL foil sarking is based on double-sided foil laminate in continuous roll form.

WALLS




BRICK VENEER (BV1)

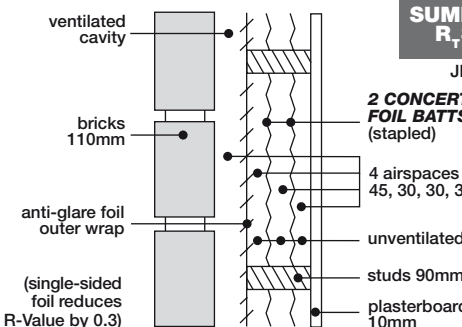
WINTER R_T 2.6
SUMMER R_T 2.5
JF-3157



1 **CONCERTINA FOIL BATT** (stapled)
3 airspaces 45, 45, 45mm
unventilated
studs 90mm
plasterboard 10mm

BRICK VENEER (BV2)

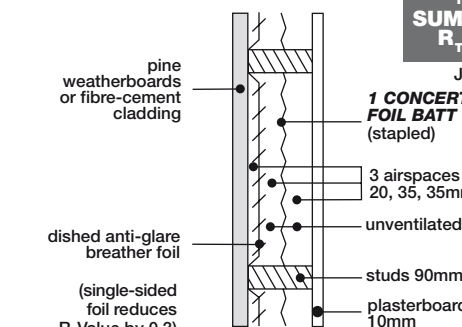
WINTER R_T 3.7
SUMMER R_T 3.5
JF-3161



2 **CONCERTINA FOIL BATTS** (stapled)
4 airspaces 45, 30, 30, 30mm
unventilated
studs 90mm
plasterboard 10mm

WEATHERBOARD FIBRE CEMENT (WB1)

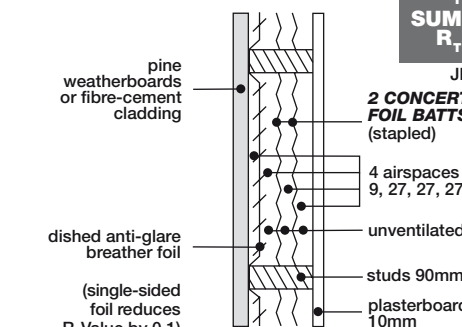
WINTER R_T 2.5
SUMMER R_T 2.5
JF-3158



1 **CONCERTINA FOIL BATT** (stapled)
3 airspaces 20, 35, 35mm
unventilated
studs 90mm
plasterboard 10mm


WEATHERBOARD FIBRE CEMENT (WB2)

WINTER R_T 3.3
SUMMER R_T 3.2
JF-3165



2 **CONCERTINA FOIL BATTS** (stapled)
4 airspaces 9, 27, 27, 27mm
unventilated
studs 90mm
plasterboard 10mm

TIMBER FLOORS

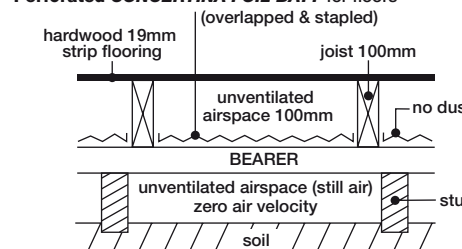


GROUND FLOOR ENCLOSED BUILDING PERIMETER (TF1)

WINTER R_T 3.1
SUMMER R_T 1.0
JF-3142

(BV walls/clad walls with close weave shade cloth behind base boards)

Perforated **CONCERTINA FOIL BATT** for floors (overlapped & stapled)

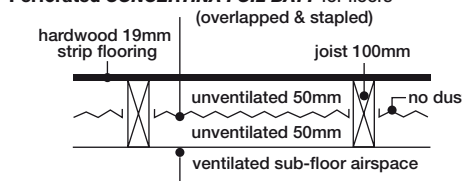


hardwood 19mm strip flooring
joist 100mm
unventilated airspace 100mm
no dust
BEARER
unventilated airspace (still air) zero air velocity
stumps
soil

SUSPENDED FLOOR OPEN BUILDING PERIMETER + CLOSED JOIST CAVITIES (TF2)

WINTER R_T 3.1
SUMMER R_T 1.3
JF-3143


Perforated **CONCERTINA FOIL BATT** for floors (overlapped & stapled)



hardwood 19mm strip flooring
joist 100mm
unventilated 50mm
unventilated 50mm
ventilated sub-floor airspace
no dust

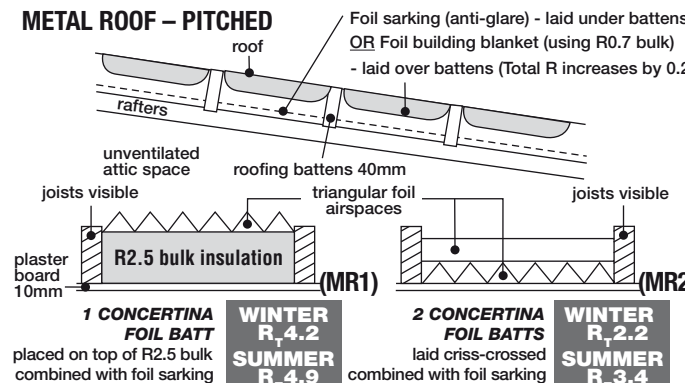
Continuous lining material to create a still air joist cavity (with gaps or perforation holes for drainage and breathing)
Example: standard RFL roll foil - foil side down

ROOF – CEILINGS




METAL ROOF – PITCHED

Foil sarking (anti-glare) - laid under battens
OR Foil building blanket (using R0.7 bulk) - laid over battens (Total R increases by 0.2)



unventilated attic space
roofing battens 40mm
joists visible
triangular foil airspaces
joists visible
plaster board 10mm
R2.5 bulk insulation (MR1)
1 **CONCERTINA FOIL BATT** placed on top of R2.5 bulk combined with foil sarking
WINTER R_T 4.2
SUMMER R_T 4.9
(MR2)
2 **CONCERTINA FOIL BATTS** laid criss-crossed combined with foil sarking
WINTER R_T 2.2
SUMMER R_T 3.4

* TILE ROOF results in R alteration of ± R0.1



JF-3155 & 3156



Wren Industries products are marked with the Benchmark Product Certification Mark. This indicates that the conformity of our product is based upon technical documentation and an annual review of our manufacturing and quality control process to ensure we consistently produce products in compliance with AS/NZS 4859.1:2002. Client I.D. 2832
The Product Certification Mark program is accredited by the Joint Accreditation System of Australia and New Zealand (JAS-ANZ).

JMF R-value calculations:
<http://fricker.net.au/>